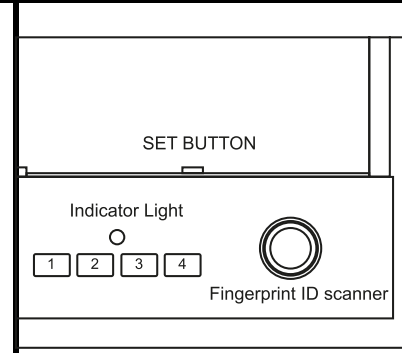
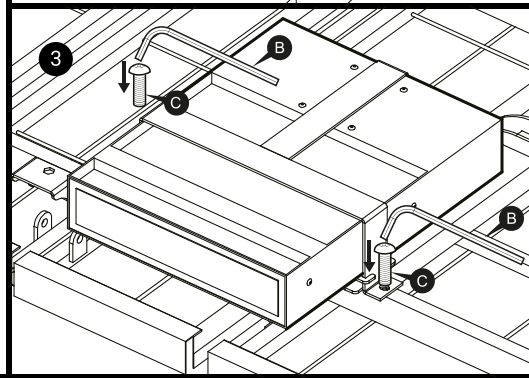
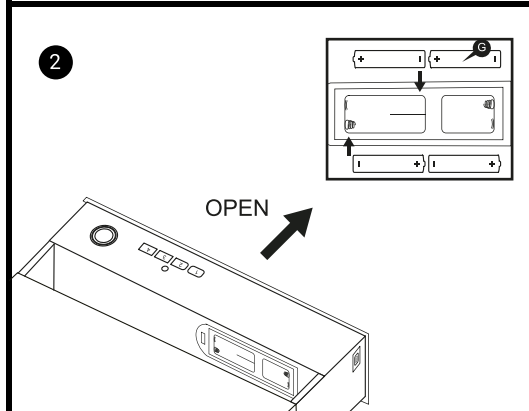
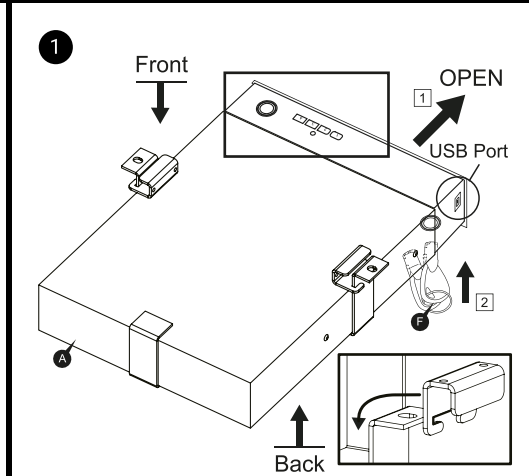
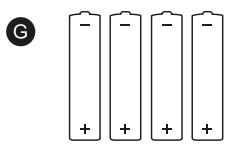
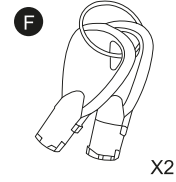
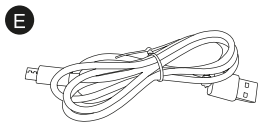
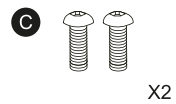
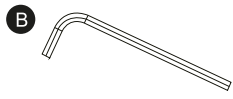
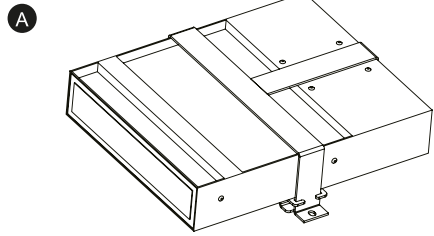




# SLEEP SAFE | SLPSAFE

## QUICK START GUIDE

### INCLUDED



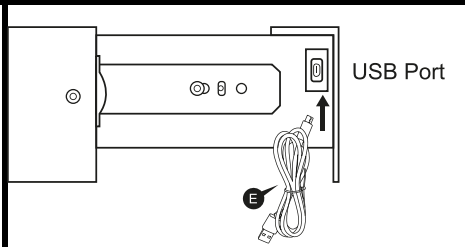
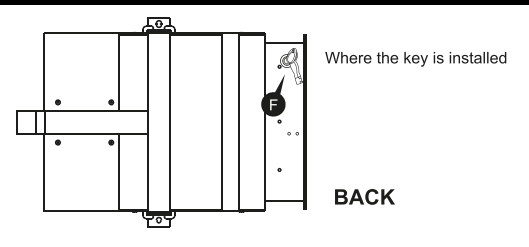
### Fingerprint ID instruction:

Press and hold the red "Set" button for two seconds until the buzzer beeps twice, the blue indicator light blinks twice, and the fingerprint scanner blue light remains on. Place your finger on the fingerprint scanner, and continuously lift and place your finger on the scanner for four consecutive times. Each time your finger is scanned successfully, the buzzer will beep once. If successful after placing your finger on the scanner four times, the buzzer will beep twice, and the green indicator light will stay on. If you hear four beeps from the buzzer and see the red indicator light flash four times, the fingerprint setting has failed. If you exceed ten seconds in your initial attempt to set up the fingerprint ID, you must press the red "Set" button again for two seconds and retry the process. If you fail to establish your passcode but are within the initial attempt to set a new passcode but are within the initial ten second time frame, you can attempt to set a new passcode without pressing the red "Set" button again.

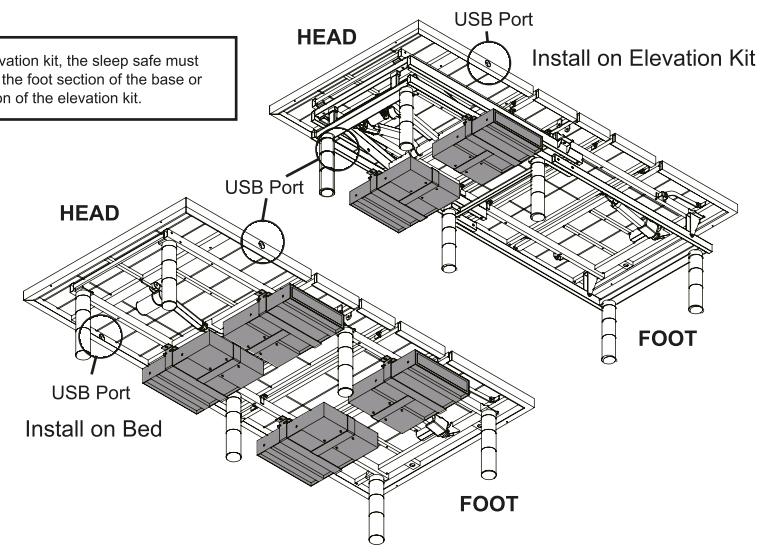
### Combination Lock instructions:

While the SleepSafe® is open, you can set a new passcode by pressing and holding the red "Set" button for two seconds until the buzzer beeps twice, the blue indicator light blinks twice, and the fingerprint scanner blue light remains on. Once the fingerprint scanner light turns blue, you have 10 seconds to enter a new passcode that must be between three and six digits. After entering the new code, press the red "Set" button again to confirm it. If successful, the indicator light will turn green and stay on, and the buzzer will beep twice. If you hear four beeps from the buzzer and see the indicator light turn red and flash four times, the passcode setting has failed. If you do not enter the passcode within 10 seconds or the passcode entered is less than three, or more than six digits, it will also fail. If you exceed ten seconds in your initial attempt to set up the passcode, you must press the red "Set" button again for two seconds and retry the process. If you fail establish your passcode but are within the initial ten second time frame, you can attempt to set a new passcode without pressing the red "Set" button again.

**Factory Settings:**  
Initial passcode: 1234.  
Initial fingerprint: There is no factory pre-set finger print ID.



If using the elevation kit, the sleep safe must be installed on the foot section of the base or the head section of the elevation kit.





# SLEEP SAFE | SLPSAFE

## QUICK START GUIDE



### WARNING

**DO NOT TILT or LEAN**  
base on legs when turning  
base over

### SAFETY INFORMATION

#### ATTENTION!

IMPORTANT SAFETY INSTRUCTIONS. SAVE THIS MANUAL! PLEASE READ THESE INSTRUCTIONS THOROUGHLY BEFORE USING THIS PRODUCT. PROPER OPERATION OF YOUR ADJUSTABLE BED IS NECESSARY TO ENSURE THE LONG LIFE AND DURABILITY YOU EXPECT FROM A HIGH QUALITY PRODUCT. THE MANUFACTURER HAS TESTED AND INSPECTED THIS PRODUCT PRIOR TO SHIPMENT.

#### ELECTRICAL SAFETY

Always unplug this adjustable bed frame from the electrical outlet before any cleaning or maintenance of the bed frame. To safely disconnect, remove the plug from the outlet. Keep cord away from heated surfaces. Use only indoors. **WARNING: TO PREVENT FIRE OR SHOCK HAZARD, DO NOT EXPOSE THIS UNIT TO MOISTURE.** Discontinue use of this adjustable bed base and contact the manufacturer for repair if: (1) it has a damaged cord or plug, (2) it is not working properly, (3) it has been dropped or damaged. **FOR OPTIMAL SAFETY, YOUR ADJUSTABLE BED SHOULD BE PLUGGED INTO A SURGE PROTECTOR (not supplied with this adjustable bed).**

#### BATTERY PRECAUTIONS

Follow these precautions when using batteries in this device:

1. Warning – Danger of explosion if battery is incorrectly replaced. Replace only with the 6LR61 9V batteries.
2. Be sure to follow the correct polarity when installing the batteries as indicated in the battery compartment. A reversed battery may cause damage to the device.
3. Do not mix different types of batteries together (e.g. Alkaline, Rechargeable and Carbon-zinc) or old batteries with fresh ones.
4. If the device is not to be used for a long period of time, remove the batteries to prevent damage or injury from possible battery leakage.
5. Do not try to recharge a battery not intended to be recharged; it can overheat and rupture. (Follow battery manufacturer's directions.)

#### WARRANTY WARNING

This bed is specifically designed to require no maintenance by you, the user. Any opening or tampering with the motors or hand controls will void the warranty. Do not attempt to alter component wiring or adjust or modify the structure of the product in any way or the warranty will be void. Only those authorized may conduct repairs or part replacement on your adjustable bed.

#### IN-HOME USE ONLY

This adjustable bed is designed exclusively for in-home use.

#### HOSPITAL/COMMERCIAL DISCLAIMER

This base is NOT designed for commercial or hospital use and is NOT designed to meet hospital standards. Do not use this base with TENT TYPE oxygen therapy equipment or use near explosive gases.

#### PRODUCT RATINGS

Lift Motor Restrictions: The lift motor in this bed is NOT designed to operate continuously for more than one (1) minute over a nine (9) minute time period, or approximately 12% duty cycle. To ensure reliable functionality and full life of this product, do not attempt to exceed these limits. **NOTE:** Attempting to circumvent or exceed this rating will shorten the life expectancy of the product and may void the warranty.

#### WEIGHT RESTRICTIONS

The recommended weight limits on our adjustable beds are: Queen: 650 lb Full/XL: 500 lb Twin/XL: 400 lb (800 lb if using two twin XLs as a King) 1/pc King: 800 lbs

The structure of the bed will support the recommended weight when distributed evenly across the bed. The head section is not designed to individually support or lift this amount of weight. For optimal performance and integrity of structure, enter and exit ONLY when head section is flat. **NOTE:** Exceeding the recommended weight restrictions could damage your adjustable bed and void your warranty.

#### SMALL CHILDREN AND PETS WARNING

Immediately dispose of all packing materials as they can pose a smothering risk to small children and pets. Injury could occur also if children or pets are permitted to play on or under the bed. Do not allow children to operate this bed without adult supervision.

#### LUBRICATION AND CLEANING

This product is designed to be maintenance free. The lift motors are permanently lubricated and sealed—no additional lubrication is required. Do not apply lubricant to lift motor lead screws or any nylon nuts or the base may inadvertently creep downward from the elevated position.

#### LIFT WARNING

**DO NOT SIT ON THE HEAD SECTION WHILE IN THE RAISED POSITION, OR DURING LIFT OR LOWERING CYCLES.**

#### LOCATION ENVIRONMENT

The level of sound experienced during operation is directly related to the location environment. For example, when a base is located on a hardwood floor, a tone will be audible. To minimize this resonance, place a piece of carpet under each leg of the base. It is possible to experience vibration or noise from the headboard brackets, headboards or foot boards if mounting bolts are not firmly tightened.

#### MOVING AFTER INSTALLATION

Do not place adjustable bed base vertically on its head, foot sections or sides. This may cause injury to persons or damage to base.

#### WARNINGS

To reduce the risk of burns, fire, electric shock, or injury to persons:

- Unplug from outlet before putting on or taking off accessories.
- Close supervision is necessary when this base is used by, or near children, invalids, disabled persons, or pets.
- Use this base only for its intended use as described in these instructions. Do not use attachments not recommended by the manufacturer.
- Never operate this base if it has a damaged cord or plug, is not working properly, has been dropped or damaged, or dropped in water.
- Keep the cord away from heated surfaces.
- Never drop or insert any object into any opening.
- Do not use outdoors.
- Do not operate where aerosol (spray) products are being used or where oxygen is being administered.
- To disconnect, remove plug from outlet.
- **DO NOT USE NEAR PEOPLE USING OR WEARING MEDICAL DEVICES. FOR HOUSEHOLD/ RESIDENTIAL USE ONLY.**