

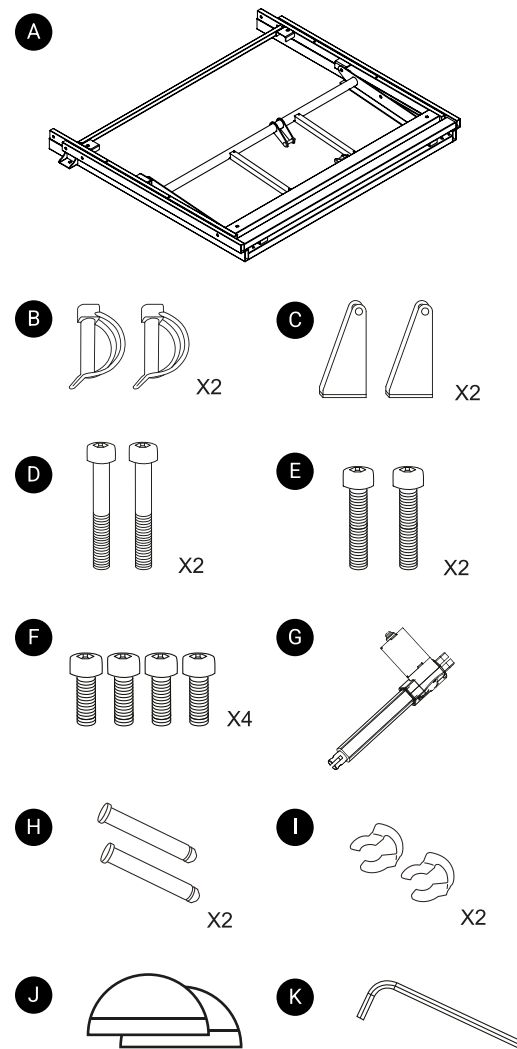


# ELEVATION KIT | ESELV QUICK START GUIDE



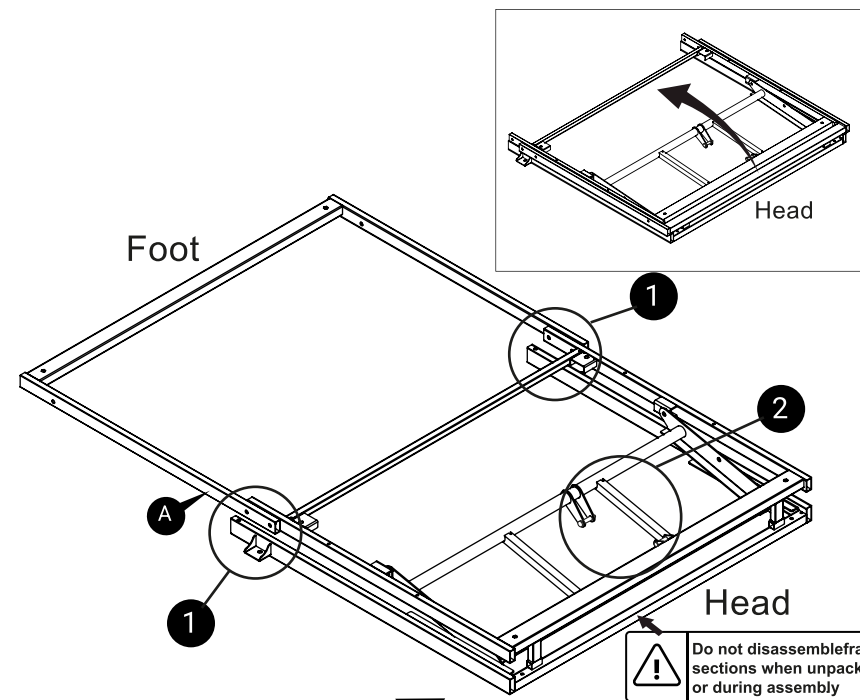
**DOWNLOAD THE APP**  
This adjustable base\* is compatible with our Symphony Sleep for Bluetooth remote app. Go to [www.symphonysleep.com/app](http://www.symphonysleep.com/app) to learn more.

## INCLUDED

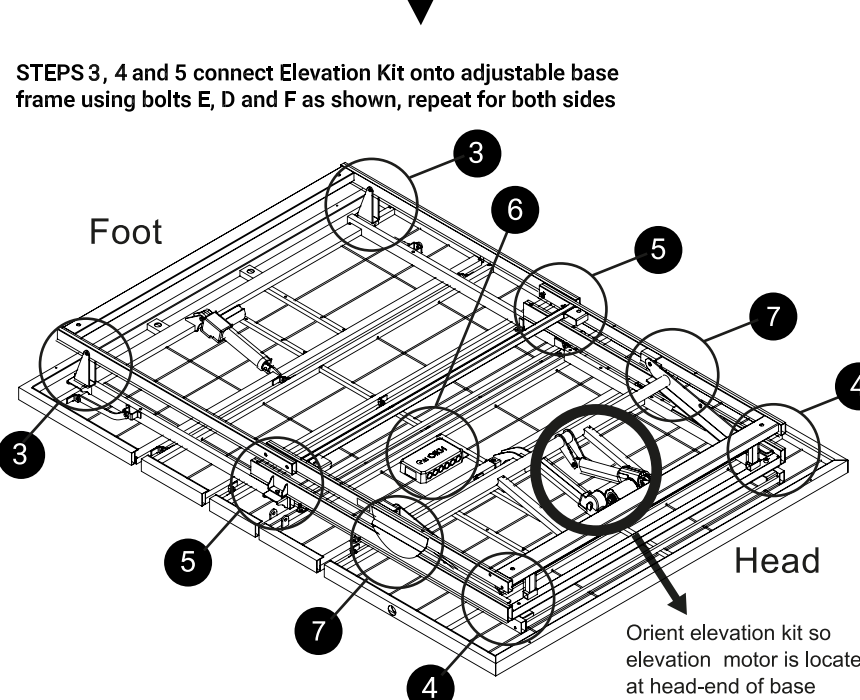


**IMPORTANT**  
All 6 legs must be tightened securely to elevation kit before turning base over for use.

**WARNING**  
DO NOT TILT or LEAN base on legs when turning base over.



1 Unfold frame as shown in diagram (left)  
2 Insert pin "H" thru frame as shown.  
3 Insert clip "I" onto end of pin "H" and snap into place.  
4 Repeat (2) and (3) on other side of frame



STEPS 3, 4 and 5 connect Elevation Kit onto adjustable base frame using bolts E, D and F as shown, repeat for both sides

1 Orient motor so shaft end faces foot end of assembly. Install motor "G" onto frame into motor mounting brackets using parts "H" and "I" as shown. Insert pin "H" thru frame motor mounting brackets and motor housing and motor spindle as shown. Install clip "I" onto end of pin "H" to secure.

2 Install bracket "C" onto foot-end of adjustable base frame using bolt "F" and tighten.

1 Install elevation frame "A" onto adjustable base. orient foot-end of elevation frame to connect to part "C".  
2 Install snap latch "B" thru bracket "C" and frame "A" and lock the latch onto the pin.  
3 repeat on the other side of the frame.

1 Install threaded bolts "E" thru elevation frame "A" into adjustable head section base as shown.  
2 repeat on the other side of the frame.

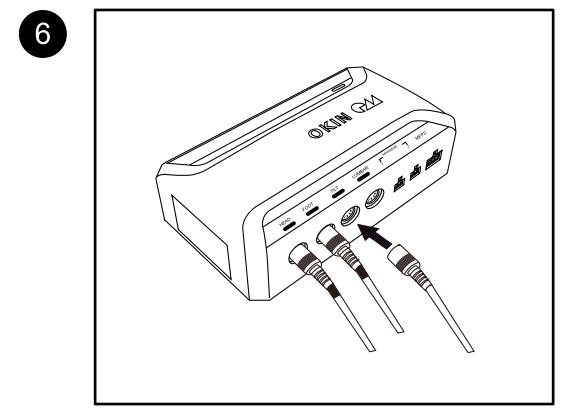
1 Install threaded bolts "D" and "F" thru elevation frame "A" into adjustable base center sections as shown.  
2 repeat on the other side of the frame.



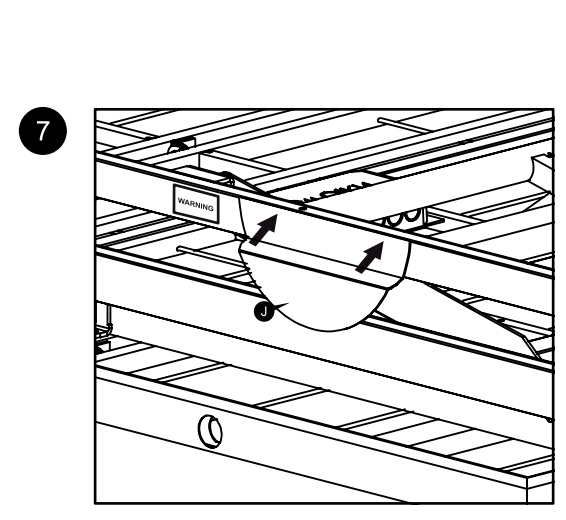
# ELEVATION KIT | ESELV QUICK START GUIDE



**DOWNLOAD THE APP**  
This adjustable base\* is compatible with our Symphony Sleep for Bluetooth remote app. Go to [www.symphonysleep.com/app](http://www.symphonysleep.com/app) to learn more.



6 Plug in elevation motor cable into control box's port labeled "tit motor" (marked in yellow).  
Please, route cable under the frame to prevent cable from any damage.



7 Install pinch guards to both sides of elevation kit (as shown), be sure to install the guards next to the label (not over the label) as per the arrows indicated on the warning labels.

## SAFETY INFORMATION

**ATTENTION!**  
IMPORTANT SAFETY INSTRUCTIONS. SAVE THIS MANUAL! PLEASE READ THESE INSTRUCTIONS THOROUGHLY BEFORE USING THIS PRODUCT. PROPER OPERATION OF YOUR ADJUSTABLE BED IS NECESSARY TO ENSURE THE LONG LIFE AND DURABILITY YOU EXPECT FROM A HIGH QUALITY PRODUCT. THE MANUFACTURER HAS TESTED AND INSPECTED THIS PRODUCT PRIOR TO SHIPMENT.

**ELECTRICAL SAFETY**  
Always unplug this adjustable bed frame from the electrical outlet before any cleaning or maintenance of the bed frame. To safely disconnect, remove the plug from the outlet. Keep cord away from heated surfaces. Use only indoors. **WARNING: TO PREVENT FIRE OR SHOCK HAZARD, DO NOT EXPOSE THIS UNIT TO MOISTURE.** Discontinue use of this adjustable bed base and contact the manufacturer for repair if: (1) it has a damaged cord or plug, (2) it is not working properly, (3) it has been dropped or damaged. **FOR OPTIMAL SAFETY, YOUR ADJUSTABLE BED SHOULD BE PLUGGED INTO A SURGE PROTECTOR** (not supplied with this adjustable bed).

**WARRANTY WARNING**  
This bed is specifically designed to require no maintenance by you, the user. Any opening or tampering with the control box, motors or hand controls (with the exception of the battery compartment, if equipped) will void the warranty. Do not attempt to alter component wiring or adjust or modify the structure of the product in any way or the warranty will be void. Only those authorized may conduct repairs or part replacement on your adjustable bed.

**IN-HOME USE ONLY**  
This adjustable bed is designed exclusively for in-home use.

**HOSPITAL/COMMERCIAL DISCLAIMER**  
This base is NOT designed for commercial or hospital use and is NOT designed to meet hospital standards. Do not use this base with TENT TYPE oxygen therapy equipment or use near explosive gases.

**CONSUMERS WITH PACEMAKERS**  
It is possible that the vibrating feature of this bed may be interpreted falsely by some pacemakers as movement and/or exercise. This is common with any product that produces a vibrating motion, and may or may not affect your pacemaker. Please consult your physician with any concerns.

**PRODUCT RATINGS**  
Lift Motor Restrictions: The lift motors in this bed are NOT designed to operate continuously for more than one (1) minute over an eight (8) minute time period, or approximately 12% duty cycle. To ensure reliable functionality and full life of this product, do not attempt to exceed these limits. NOTE: Attempting to circumvent or exceed this rating will shorten the life expectancy of the product and may void the warranty.

**Weight Restrictions:** The recommended weight limits on our adjustable beds are: Queen: 650 lb Twin/ XL: 400 lb (800 lb if using two twins as a King)

The structure of the bed will support the recommended weight when distributed evenly across the bed. The head and foot sections are not designed to individually support or lift this amount of weight. For optimal performance and integrity of structure, entering and exiting the adjustable bed with the bed in the flat position is recommended. NOTE: Exceeding the recommended weight restrictions could damage your adjustable bed and void your warranty.

**SMALL CHILDREN AND PETS WARNING**  
Immediately dispose of all packing materials as they can pose a smothering risk to small children and pets. Injury could occur also if children or pets are permitted to play on or under the bed. Do not allow children to operate this bed without adult supervision.

**LUBRICATION AND CLEANING**  
This product is designed to be maintenance free. The lift motors are permanently lubricated and sealed—no additional lubrication is required. Do not apply lubricant to lift motor lead screws or any nylon nuts or the base may inadvertently creep downward from the elevated position.

**LIFT WARNING**  
DO NOT SIT ON THE HEAD OR FOOT SECTIONS WHILE IN THE RAISED POSITION, OR DURING LIFT OR LOWERING CYCLES.

**LOCATION ENVIRONMENT**  
The level of sound experienced during operation is directly related to the location environment. For example, when a base is located on a hardwood floor with the vibrate feature in operation, a vibrating tone will be audible. To minimize this resonance, place a piece of carpet under each leg of the base. It is possible to experience vibration or noise from the headboard brackets, headboards or foot boards if the mounting bolts are not firmly tightened.

**MOVING AFTER INSTALLATION**  
Do not place adjustable bed base vertically on its head, foot sections or sides. This may cause injury to persons or damage to base.

**WARNINGS**  
To reduce the risk of burns, fire, electric shock, or injury to persons:  
• Unplug from outlet before putting on or taking off accessories.  
• Close supervision is necessary when this base is used by, or near children, invalids, disabled persons, or pets.  
• Use this base only for its intended use as described in these instructions.  
• Do not use attachments not recommended by the manufacturer.  
• Never operate this base if it has a damaged cord or plug, is not working properly, has been dropped or damaged, or dropped in water.  
• Keep the cord away from heated surfaces.  
• Never drop or insert any object into any opening.  
• Do not use outdoors.  
• Do not operate where aerosol (spray) products are being used or where oxygen is being administered.  
• To disconnect, remove plug from outlet.  
• DO NOT USE NEAR PEOPLE USING OR WEARING MEDICAL DEVICES. FOR HOUSEHOLD/ RESIDENTIAL USE ONLY.

Warranty Service | Customer Service | QSG and Warranty information are available at [symphonysleep.com](http://symphonysleep.com)  
888-821-1555 | 314-499-8869